

Application Sheet

Virtual Fax Gateways with Visendo Fax Server

- ✓ Fax Gateway, Media Gateway und Internet access
- ✓ Multi-Device and Multi-Site CAPI
- ✓ Integration with T.30 and T.38
- ✓ Works also with virtual fax servers
- ✓ External Fax Gateway for up to 8 Channels
- ✓ Reducing all redundant fax servers
- ✓ Maintenance during operations
- ✓ Easy Integration and extensibility
- ✓ Large range of basic functions and performance capabilities

Fax gateways systems have become an indispensable part of the modern business. With a simple, intuitive operational way and reduced paper consumption, **Fax Gateways** receive increasing (especially in conjunction with different virtualization solutions) attention as standalone faxes are slowly becoming obsolete.

The approach combines virtualization redundancy, cost savings, security and environmental protection.

Firstly, thanks to a simple backup of a virtual machine, your data is always safe. Secondly, Fax Gateways sustain the idea of "**Green Computing**".

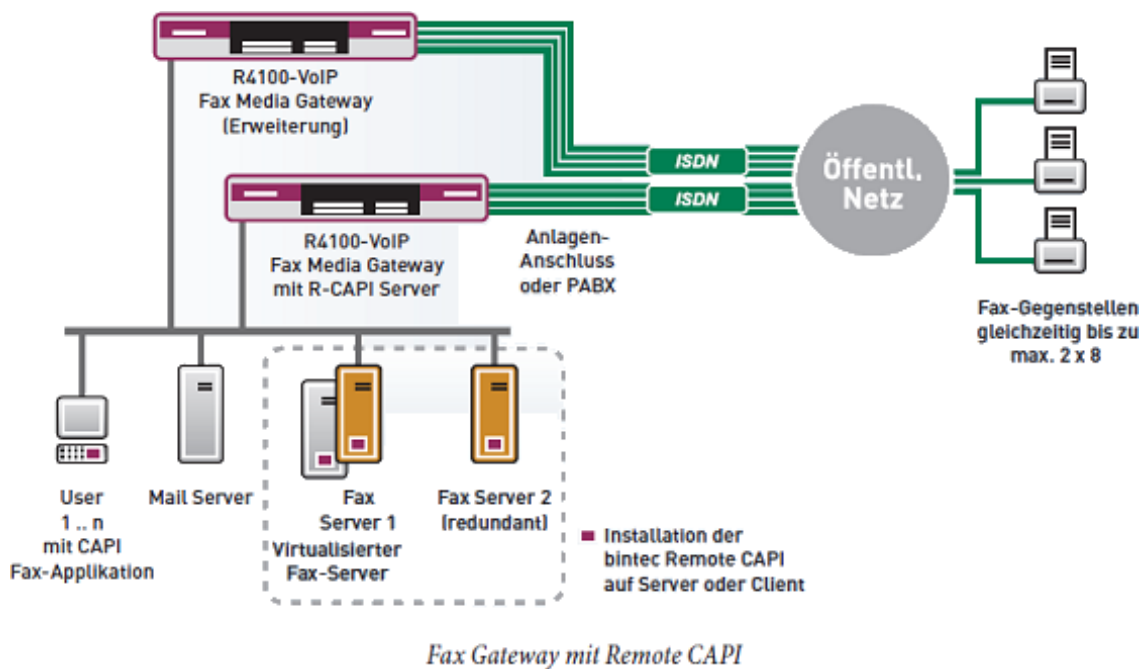
Challenge:

Due to the enormous performance capacity of modern hosts, which in most cases remains unused, very large energy resources are needed. By means of virtualization, the existing hardware resources are used more efficient. **The main challenge** is to have energy savings and a better usage of hardware resources.

ppedv AG - HQ – Burghausen, Germany

Tel: +49-8677-9889-110 Fax: +49-8677-9889-44

Info: support@ppedv.de sales: sales@ppedv.de <http://www.visendo.com>



Solution:

Together with a virtual machine, Visendo Fax server reaches an unexpected flexibility. With support for **fax over IP (FoIP)** and **USB** in virtual machines, it is also possible to connect your **Fax Adapter** to a virtual environment.

The support for **TCP-CAPI** or **FAX over IP** is provided in modules. Together with **R1200 Gateway** from **Funkwerk**, the system becomes more and more flexible; this flexibility would not be possible with regular ISDN adapters in a standard environment.

Up to 8 channels are available, depending on the configuration model. Since **TCP-CAPI** has no adapter installed in the system and it works as a simple application, it can run smoothly on any **Windows operating system**.

Of course, the **R1200 Gateway** handles all faxing and routing tasks in parallel.

ppedv AG - HQ – Burghausen, Germany

Tel: +49-8677-9889-110 Fax: +49-8677-9889-44

Info: support@ppedv.de sales: sales@ppedv.de <http://www.visendo.com>

Fax Media Gateways

Funkwerk R1200-VoIP

Funkwerk R4100-VoIP



Multimedia Fax Gateway and Router in the same device

- ✓ R1200-VoIP: Media Gateway with two ISDN interfaces and 4 DSP channels
- ✓ R4100-VoIP: Media Gateway with four ISDN interfaces and 8 DSP channels

- ✓ Avoid device redundancy by BRRP
- ✓ Connection to the RADIUS Server
- ✓ 10 (up to 110) VPN Tunnel with IPSec, PPTP – sustained by certificates
- ✓ Hardware efficiency
- ✓ Variable usability by WAN (separable 4+1 Port Switch)
- ✓ Inspection Firewall

Software Certification

The **Funkwerk fax gateway** (Release 7.8.4 for R1200 / R3000/R4100) has been certified by ppedv for the **Visendo product**.

Technical data

Firmware Version: 7.8.4

Max. Receiving speed: 14.400

Max. Sending speed: 14.400

Supported B-Channels sending - depending on the device: 2, 4 - 8

Supported B-Channels Receiving - depending on the device: 2, 4 - 8

General functions

MS-operating system (x64 compatible) W2K, XP, W2K3, Vista and Windows 2008 are supported:

- ✓ FaxPlus sending
- ✓ Fax Trainingston detection
- ✓ Fax-Group 3
- ✓ Distribution on MSN
- ✓ Distribution on DDI
- ✓ ECT-Connect
- ✓ FaxPlus receiving

- ✓ Fax calling
- ✓ **Fax-on-demand**
- ✓ FaxBack
- ✓ EMail sending
- ✓ mail2fax Distribution rules
- ✓ Switch to **Fax-Mode**
- ✓

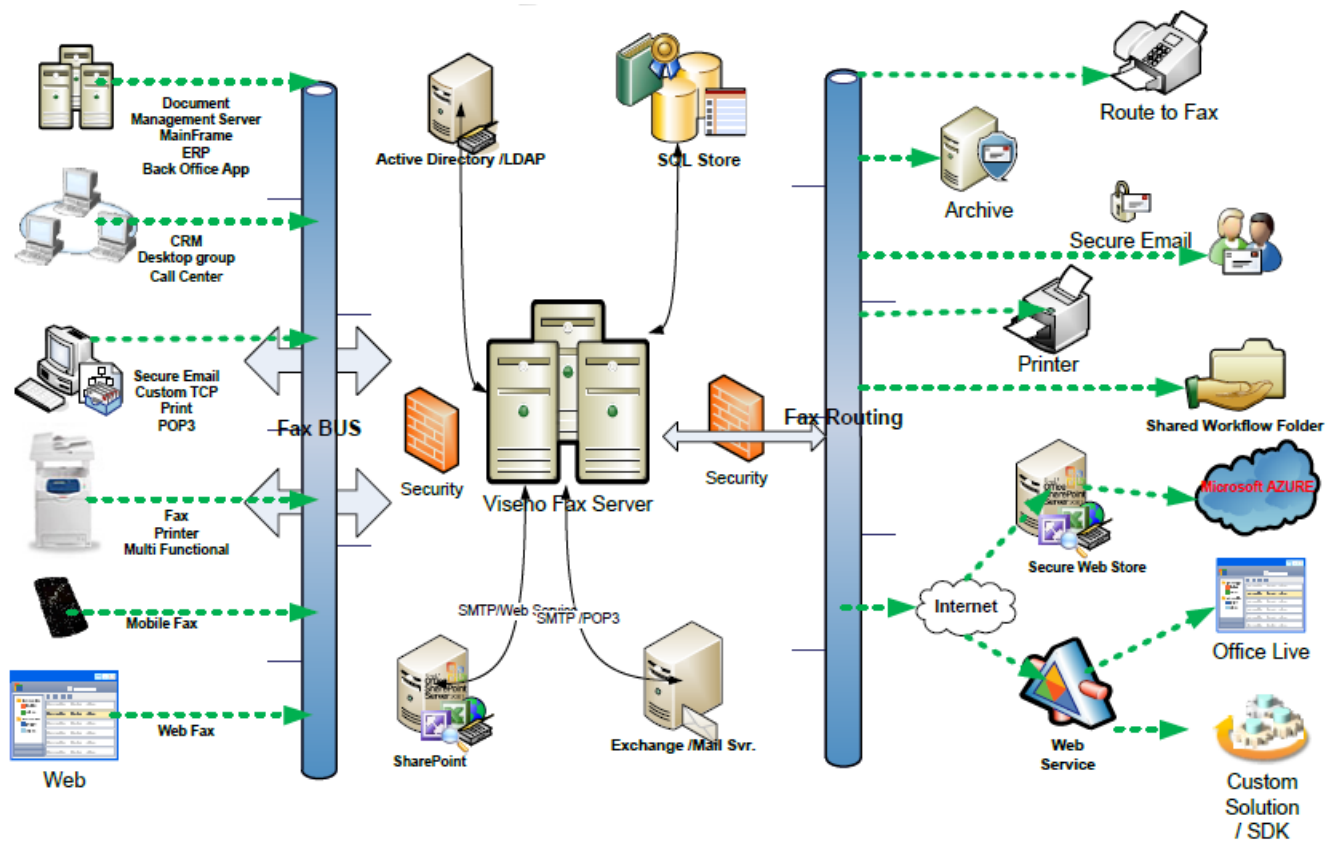
ppedv AG - HQ – Burghausen, Germany

Tel: +49-8677-9889-110 Fax: +49-8677-9889-44

Info: support@ppedv.de sales: sales@ppedv.de <http://www.visendo.com>

Appendix 1

Visendo Document Management



For further information, please visit us on:

website: <http://www.visendo.com>, [Product downloads](#)

Blog: <http://www.blog.visendo.com>

Linkedin, [Twitter](#) , [Facebook](#)

Did you find this paper useful? [Give us feedback NOW!](#)

FAQ Version 1.0.5 : Review 08.04.2010

ppedv AG - HQ – Burghausen, Germany

Tel: +49-8677-9889-110 Fax: +49-8677-9889-44

Info: support@ppedv.de sales: sales@ppedv.de <http://www.visendo.com>